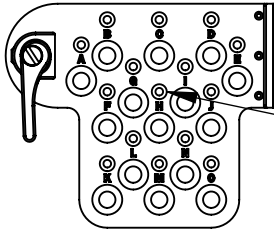
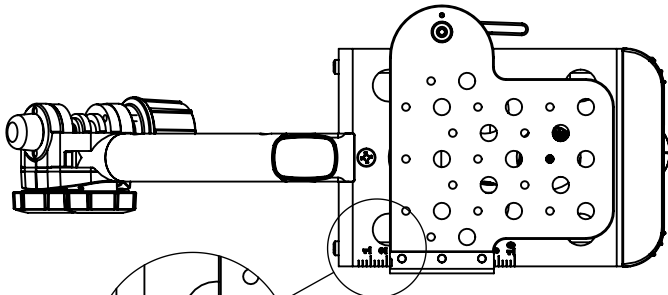


STEADICAM MERLIN²

Balance Instructions

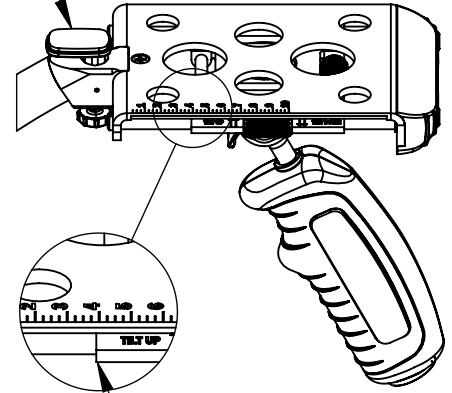


Camera "**Mounting Hole**" is selected by finding the center of horizontal balance of the camera and placing hole "H" on the dovetail plate over that point. Screw in whatever dovetail hole is closest to the actual mounting hole on the camera

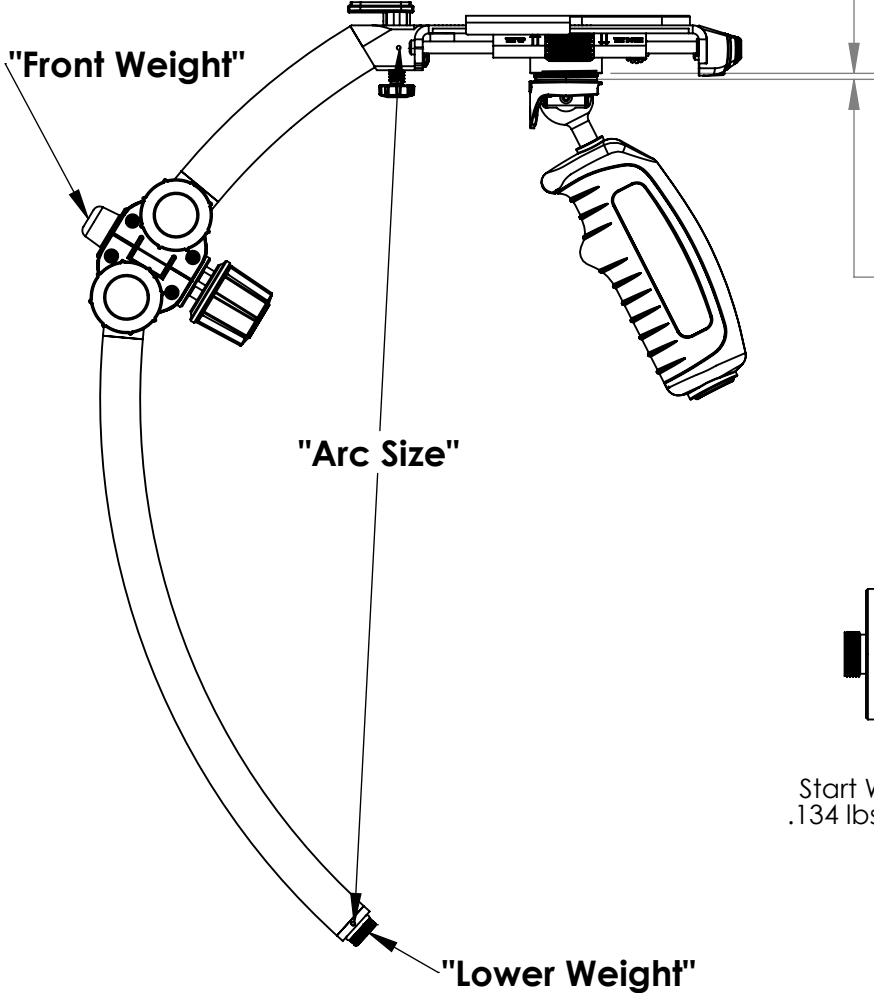


"**Dovetail Position**"
(Shown at 2.25)

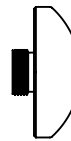
"**Lens Saddle**"



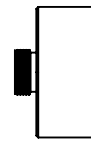
"**Carriage Position**"
(Shown at 4)



"**Z**" turns are always set as 4-turns of the gimbal handle away from the gimbal base.



Start Weight
.134 lbs/60.8 g



Middle Weight
.276 lbs/125.2 g



Finish Weight
.134 lbs/60.8 g